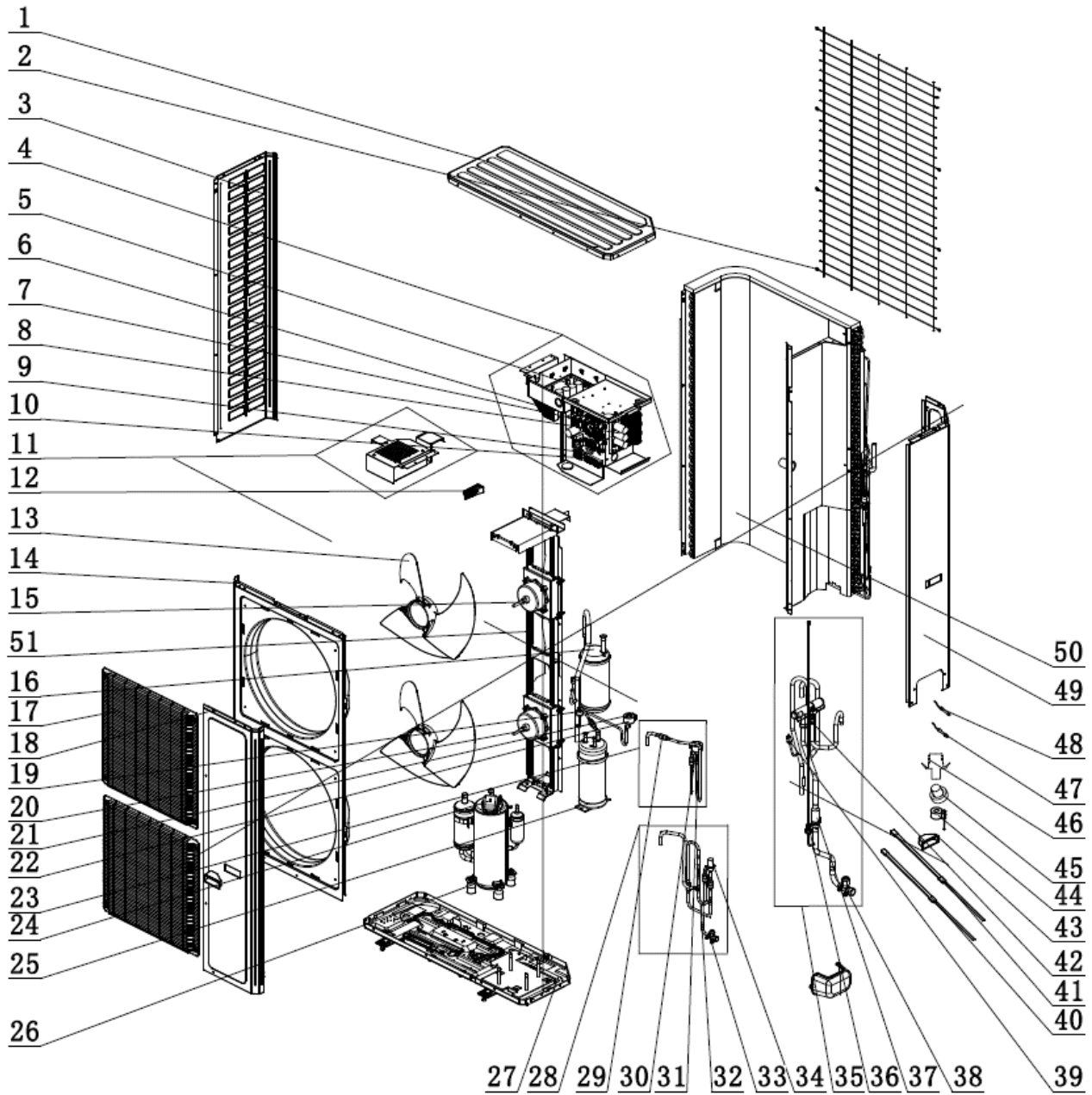


ENVBR60J10A

EXPLODED VIEW



ENVBR60J10A

NO.	Part Description	Qty	Part Code
1	Coping (Top Cover)	1	01265356P03
2	Rear Grill	1	0157520501
3	Left Side Plate	1	01315366P02
4	Electric Box Assy	1	100002072979
5	Driver Board	1	300078060066
6	Radiator	1	430034000032
7	Main Board	1	300027060636
8	Filter board	1	300020060032
9	Terminal Board (3 Post Power)	1	422000000015
10	Terminal Board (6 Post)	1	4201025504
11	Inductance Box Assy	1	000221060023
12	Handle	1	2623305301
13	Axial Flow Fan	2	10335008
14	Cabinet	1	01515204P02
15	DC Fan Motor (Upper)	1	1570280000410
16	Gas-liquid Separator Sub-Assy	1	0722501801
17	Front Grill	2	01600400000601
18	Front Side Plate	1	01315364P02
19	Lo-Pressure Protect Switch 0.05/0.15MPa	1	46020007
20	DC Fan Motor (Lower)	1	1570280000403
21	Electromagnetic Valve	1	43003091
22	Electric Expand Valve Fitting	1	4300034501
23	Electric Expansion Valve Sub-Assy	1	030026060648
24	Compressor and Fittings	1	009001000266
25	Accumulator	1	07424100031
26	Foot (Compressor Isolator)	2	01215004
27	Chassis Sub-Assy	1	017080060140P
28	Cut off Valve Sub-Assy	1	030057060280
29	Filter Strainer (Electromagnetic Valve)	6	07216221
30	Magnet Coil (electromagnetic valve)	1	4304000488
31	Electric Expand Valve Fitting	1	4300034502
32	One Way Valve	1	07133618
33	Cut off Valve -3/4	1	07130212
34	Electronic Expansion Valve	2	072009060004
35	4-Way Valve Assy	1	030152060548
36	Pressure Sensor	1	43004400001503

ENVBR60J10A

37	Filter Strainer (4-Way Valve)	1	07210037
38	Cut off Valve -3/8	1	07130209
39	Hi-Pressure Protect Switch 4.6/3.8MPa	1	4602000603
40	Electrical Heater (Chassis)	1	7651000417
41	Electrical Heater (Compressor)	3	7651521246
42	4-way Valve	1	43000338
43	Handle	2	2623525309
44	4 Way Valve Coil	1	4300040094
45	Drainage hole Cap	3	06813401
46	Drainage Joint (Drain Hose Adapter)	1	06123401
47	Temperature Sensor(Discharge, Coil, & Ambient)	1	3900028025G
48	Temperature Sensor (4-Way Valve)	1	3900007201
49	Rear Side Plate Sub-Assy	1	017051060121P
50	Condenser Assy	1	000100060341
51	Motor Support Sub-Assy	1	01805200246

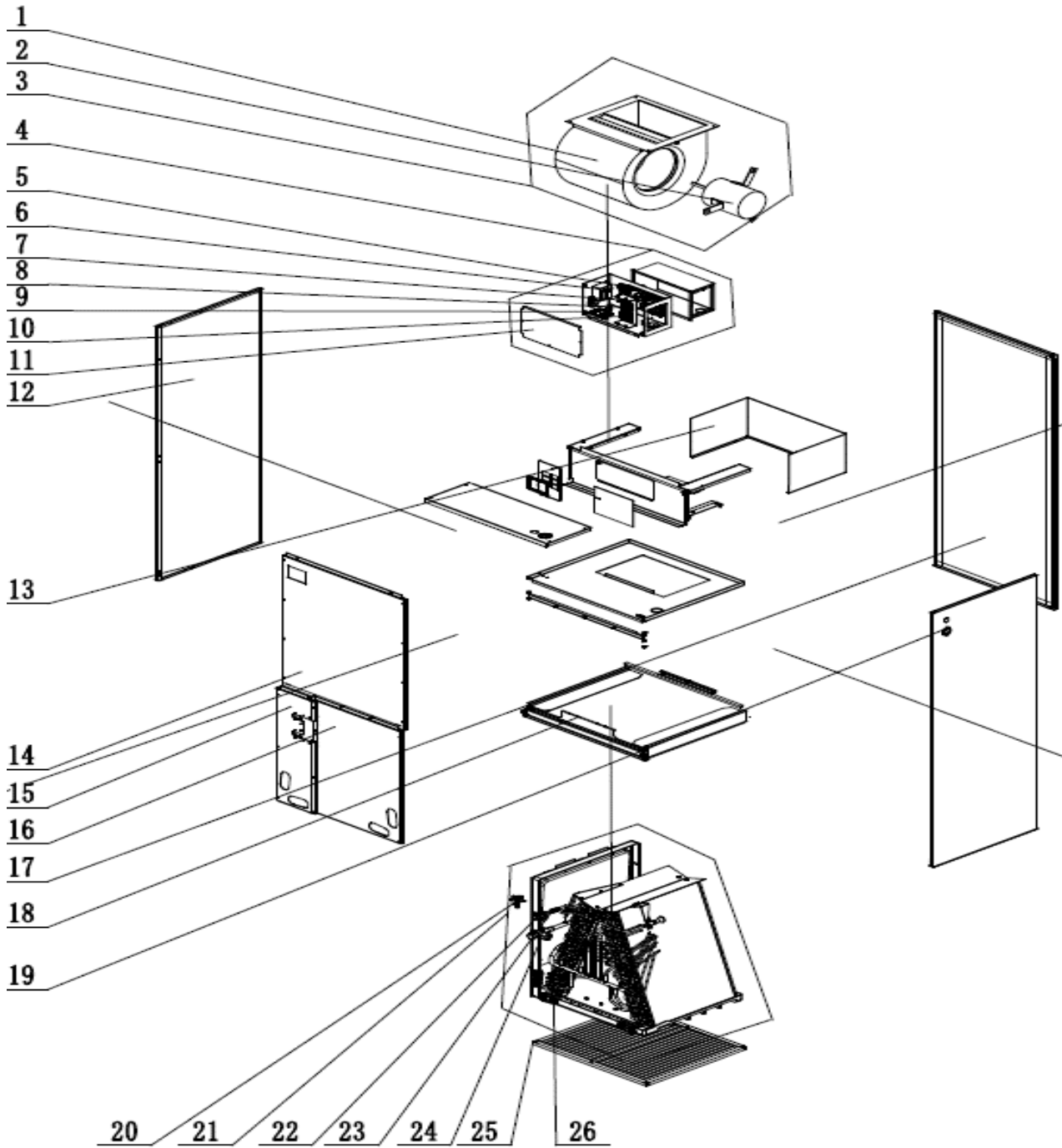
ASSEMBLIES

4	Electric Box Assy	1	100002072979
5	Driver Board	1	300078060066
6	Radiator	1	430034000032
7	Main Board	1	300027060636
8	Filter board	1	300020060032
9	Terminal Board (3 Post Power)	1	422000000015
10	Terminal Board (6 Post)	1	4201025504
23	Electric Expansion Valve Sub-Assy	1	030026060648
29	Filter Strainer (Electomagnetic Valve)	6	07216221
30	Magnet Coil (electromagnetic valve)	1	4304000488
31	Electric Expand ValveCoil	1	4300034502
28	Cut off Valve Sub-Assy	1	030057060280
32	One Way Valve	1	07133618
33	Cut off Valve -3/4	1	07130212
34	Electronic Expansion Valve	2	072009060004
35	4-Way Valve Assy	1	030152060548

ENVBR60J10A

36	Pressure Sensor	1	43004400001503
37	Filter Strainer (4-Way Valve)	1	07210037
38	Cut off Valve -3/8	1	07130209
39	Hi-Pressure Protect Switch 4.6/3.8MPa	1	4602000603
42	4-way Valve	1	43000338

ENVBR48HPJ1IB
ENVBR60HPJ1IB
EXPLODED VIEW



ENVBR48HPJ1IB ENVBR60HPJ1IB

NO.	Part Description	Qty	Part Code
1	Centrifugal Fan Housing	1	1570220301
2	DC Fan Motor	1	15010400001301
3	Centrifugal Fan Assy	1	000052060413
4	Electric Box Assy	1	100002070100
5	Terminal Board (1 Post)	1	42011147
6	Transformer	1	43110286
7	Main Board	1	300002061591
8	Terminal Board (6 Post)	1	4201025503
9	Pinboard	0	none
10	Terminal Board (2 Post)	1	42000100000102
11	Electric Box Cover	1	012020060452
12	Left Side Plate Sub-Assy	1	017037060170
13	Air Scroll	1	012277060111
14	Top Cover Board Sub-assy	1	017011060115
15	Bottom Cover Plate	1	017010060042P
16	Bottom Cover Plate 2	1	01262200026
17	Rear Side Plate Sub-Assy	1	017051060118
18	Water Tray Assy	1	000069060357
19	Right Side Plate Sub-Assy	1	000130060099
20	Thermal Expansion Valve	1	071017060028
21	Evaporator Assy	1	011001061545
22	Cut off Valve -3/8	1	071302391
23	Filter Strainer (Liquid Line)	3	0721200102
24	Cut off Valve -3/4	1	070001000009
25	Filter Sub-Assy	1	111001060188
26	Choke Plug	8	76718209

ASSEMBLIES

1	Centrifugal Fan Housing	1	1570220301
2	DC Fan Motor	1	15010400001301
3	Centrifugal Fan Assy	1	000052060413
4	Electric Box Assy	1	100002070100
5	Terminal Board	1	42011147
6	Transformer	1	43110286
7	Main Board	1	300002061591

ENVBR48HPJ1IB

ENVBR60HPJ1IB

8	Terminal Board	1	4201025503
9	Pinboard	0	none
10	Terminal Board	1	42000100000102
11	Electric Box Cover	1	012020060452
21	Evaporator Assy	1	011001061545
14	Top Cover Board Sub-assy	1	017011060115
22	Cut off Valve	1	071302391
23	Strainer	3	0721200102
24	Cut off Valve	1	070001000009
26	Choke Plug	8	76718209